



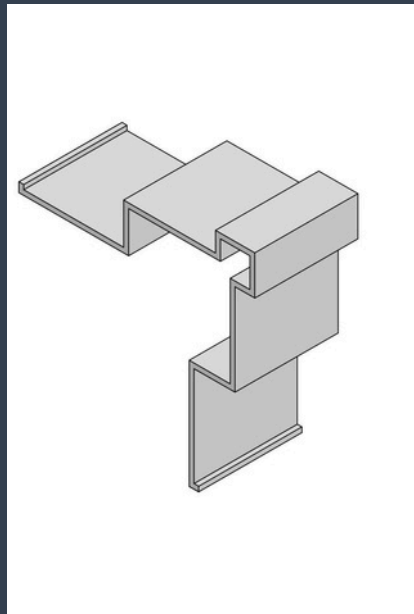
Product Overview:

- Omnis rainscreen sub-framing accommodates all rainscreen façades, including unique formats such as running bond patterns, closed joint scenarios, corners, and end terminations.
- Omnis sub-framing is designed to make installation easier and faster, replacing inferior galvanized framing systems.
- Omnis profiles work with exposed, concealed and adhesive fastening systems.

Up to 50%
faster than steel
equivalents

Performance:

- Omnis sub-framing installs faster and more efficiently than galvanized sub-framing.
- Made of .090 6063 T6 aluminum.
- Comes in 10-foot lengths.
- Tested and approved for Bostik PanelTack™ and SikaTack® Adhesive installation.



Long
life
expectancy

Application:

- Does not require special installation training.
- Omnis has solutions for unique construction scenarios: outside corners, end-of-wall terminations, exposed fastener running bond patterns, and closed rainscreen joint scenarios.



Has a solution
for unique
scenarios

Sustainability:

- 100% of Omnis aluminum cut-offs can be recycled.
- Aluminum sub-framing lasts significantly longer than steel sub-framing.



Easy to install



100% recyclable



Tested for Bostik PanelTack™
& SikaTack® Installation



Great for marine
environments